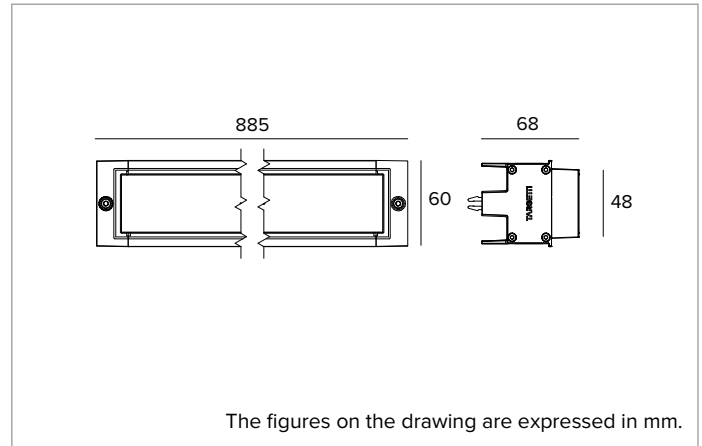


## 1E4142EL | IVY Linear module

Linear LED light module, powered at low voltage, to be installed into the installation profile



		3000K	H(m)	D1(m)	D2(m)	E <sub>max</sub> (lx)	
		Ra90	77°	61°			
		Fixture Power	22W	1	1.58	1.19	1362
		Source Flux	2937lm	2	3.17	2.38	341
		Fixture Flux	1935lm	3	4.75	3.56	151
		Efficacy	86lm/W	4	6.33	4.75	85
TS1649	I <sub>max</sub> =464cd/klm	I <sub>max</sub>	1362cd	5	7.92	5.94	54



### SOURCE

High Power High Efficiency Ra90 linear LED board.

**Energy efficiency class:** E

**Nominal power:** 20W

**Nominal flux:** 2937lm

**Colour rendering index:** 90

**Rf:** 90.3

**Rg:** 100.4

**CCT nominal:** 3000K

**SDCM:** 3

**Lifetime (L80/B10):** >50000h tq +25°C

### ILLUMINOTECHNICAL CHARACTERISTICS

Opal version: internal optical system made of a MC-PET high reflectance white reflector and double holographic diffusive filter.

**Optic:** OPAL

**Beam angles:** OP

**Optical efficiency:** 66%

**Fixture flux:** 1935lm

**Luminous efficacy:** 86lm/W

**Photobiological safety:** Compliant with RG1 low risk group

### MECHANICAL CHARACTERISTICS

Extruded aluminium body protected with a layer of black anodization with a minimum thickness of 15µ. Side enclosure caps in thermoplastic polymer. Extra clear 4mm thick glass flat screen. Lighting module of 885mm length.

**Colour and finish:** Black anodized

**Dimensions:** L=885mm

**Weight:** 2.2Kg

**Version:** ON-OFF

**Degree of protection:** IP65

### ELECTRICAL CHARACTERISTICS

**Fixture Power:** 22W

**Power supply:** 48Vdc

**Insulation Class:** CLASS 3

**Class F:** YES

**Ambient temperature:** -25°C / +35°C

### INSTALLATION

Fast connection system of the modules through anodized aluminium clips. Free positioning all over the installation profile according to installation needs with mechanical lock through Hex Key. Designed for connection in series through H05RN-F (0.15m + 0.15m) cable completed with male/female miniaturised IP65 connectors.

### NOTES

Electronic ON-OFF version.

### WARRANTY

5 years.

### WARNING

Luminaire designed for disposal/recycling at end-of-life. Replaceable (LED only) light source by a professional. Replaceable control gear by a professional.

Due to the technological evolution of the electronic components, the data provided may be updated, and as such, confirmation must be requested during the order process.

Luminous flux and power supply have +/-10% tolerances with respect to the indicated value. tq +25°C (CIE 121).

We reserve the right to make technical changes.

Targetti Sankey S.r.l.  
Via Pratese, 164  
50145 Firenze - Italy  
Tel: +39 055 37911  
targetti.com  
targetti@targetti.com

CCIAA Firenze  
Share Capital:  
€ 500.000,00  
VAT N. (IT):  
01537660480  
R.E.A.: FI-275656

**TARGETTI**

# 1E4142EL | IVY Linear module

Linear LED light module, powered at low voltage, to be installed into the installation profile

## Related codes

### Power Supply



Driver	Colour	Code
ON-OFF	●	<b>1E4169</b>

48Vdc driver box (IP65).  
L=450mm 90W.

Equipped with connection cable H05RN-F (0.15m + 0.15m) complete with male/female IP65 connectors for 220V and miniaturized female IP65 connector for 48V.



Driver	Colour	Code
ON-OFF	●	<b>1E4175</b>

48Vdc driver box (IP65).  
L=450mm 150W.

Equipped with connection cable H05RN-F (0.15m + 0.15m) complete with male/female IP65 connectors for 220V and miniaturized female IP65 connector for 48V.

### Power Supply

Dimensions LxHxP mm	Power	Power supply	Output voltage	IP	Code
225x51x65	70W	220-240Vac	48Vdc	IP67	<b>1E2320</b>
225x51x65	150W	220-240Vac	48Vdc	IP67	<b>1E2321</b>

Electronic ON-OFF power supply.  
Cable length 0.5m (IN and OUT).  
To be completed with Connection kit 1E4184.

Dimensions LxHxP mm	Power	Power supply	Output voltage	IP	Code
225x36x60	60W	220-240Vac	48Vdc	IP20	<b>1T6917EL</b>
240x49x60	130W	220-240Vac	48Vdc	IP20	<b>1T6916EL</b>

Electronic ON-OFF power supply.  
To be completed with Connection kit 1E4184.

## Accessories

### Cable



L mm	Code
500	<b>1E4270</b>
1000	<b>1E4181</b>
2000	<b>1E4182</b>
3000	<b>1E4183</b>

Connection cable complete with male/female connectors.

### Tool



Code

**1E4171**

Microcrewdriver with hexagonal head (diameter 0.9mm) for wiring 1E4184 connection kit.

### Connector



Code

**1E4184**

Connection kit 24/48V.  
Wire not included.  
Maximum cable diameter 7.5mm.  
To be used for lengths >3m.



Code

**1E2769**

Linear connection box IP66/IP68.  
5 poles max. wire section 1.5mm<sup>2</sup>.  
Cable diameter range from 7 to 12mm.

Due to the technological evolution of the electronic components, the data provided may be updated, and as such, confirmation must be requested during the order process.

Luminous flux and power supply have +/-10% tolerances with respect to the indicated value. tq +25°C (CIE 121).

We reserve the right to make technical changes.

Targetti Sankey S.r.l.  
Via Pratese, 164  
50145 Firenze - Italy  
Tel: +39 055 37911  
targetti.com  
targetti@targetti.com

CCIAA Firenze  
Share Capital:  
€ 500.000,00  
VAT N. (IT):  
01537660480  
R.E.A: FI-275656

**TARGETTI**